

LED Downlight Triton

Module Downlight

DATASHEET

Product Codes

249422+249423

Physical

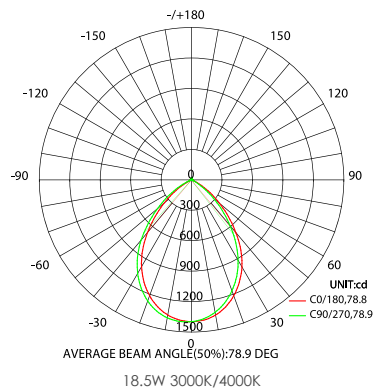
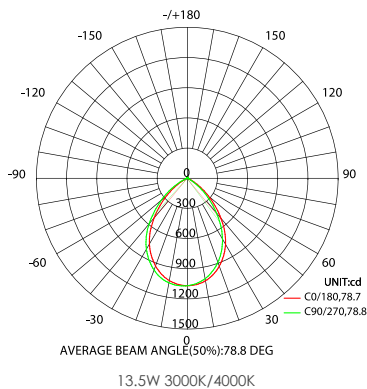
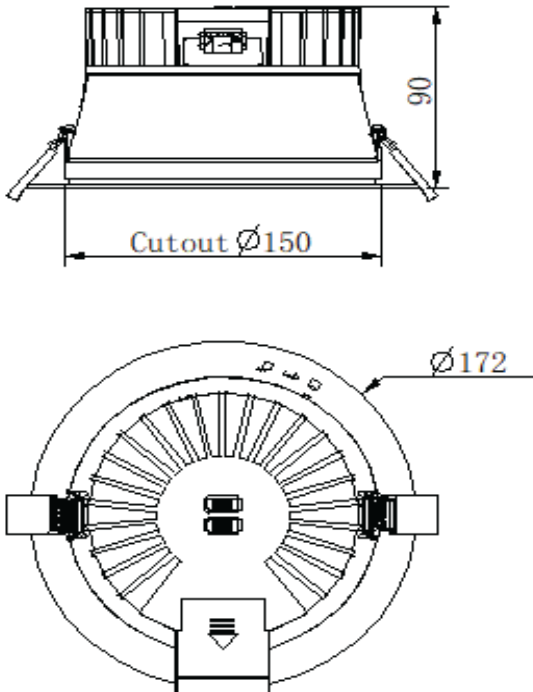
Surface Finish	Powder Coated
Physical Colour	White
Colour Code	W106
Dimensions	Ø172x90mm
Cutout	Ø150mm
Weight	450g
Rotate/Tilt Angle	N/A
Material	PC,PC+ABS,PA, ADC12
IP Rating	54
IK Rating	03
IC Rating	N/A
Luminaire Class	II
Cable Length	N/A
Lens Type	Diffuser + reflector
Lens Material	PC



Operational

Model				
Total Power	13.5W	13.5W	18.5W	18.5W
Lamp Power	12.5W	12.5W	17.2W	17.2W
Colour Temp.	3000K	4000K	3000K	4000K
Lumen Output	1800lm	1800lm	2400lm	2400lm
Efficacy	120lm/W	120lm/W	120lm/W	120lm/W
SDCM	≤6	≤6	≤6	≤6
CRI	Ra80			
Beam Angle	90°			
PF	0.9			
Flicker-free	YES			
Operating Temp.	-30 ... +40°C			
Lifetime	50,000hrs L80B10 @Ta = 25°C			
Circuit Breaker:				
B16	112PCS			
C16	123PCS			

Product Dimensions



LED Downlight Triton

Module Downlight

DATASHEET

Product Codes

249422+249425

Physical

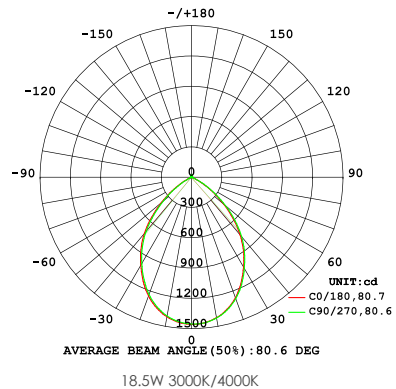
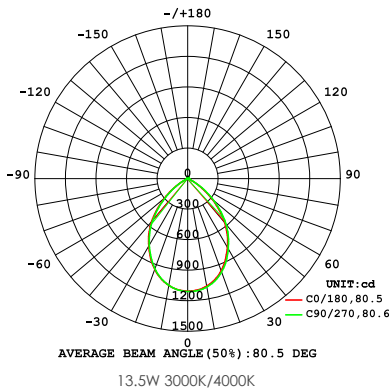
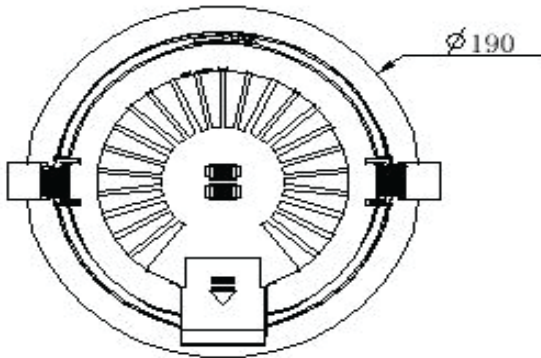
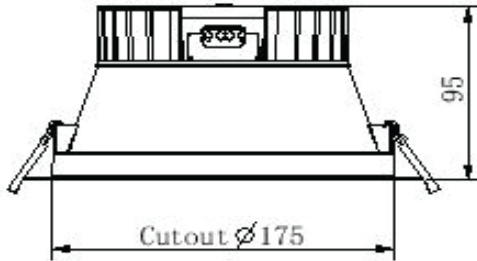
Surface Finish	Powder Coated
Physical Colour	White
Colour Code	W106
Dimensions	Ø190x95mm
Cutout	Ø175mm
Weight	520g
Rotate/Tilt Angle	N/A
Material	PC,PC+ABS,PA, ADC12
IP Rating	54
IK Rating	03
IC Rating	N/A
Luminaire Class	II
Cable Length	N/A
Lens Type	Diffuser + reflector
Lens Material	PC



Operational

Model				
Total Power	13.5W	13.5W	18.5W	18.5W
Lamp Power	12.5W	12.5W	17.2W	17.2W
Colour Temp.	3000K	4000K	3000K	4000K
Lumen Output	1800lm	1800lm	2400lm	2400lm
Efficacy	120lm/W	120lm/W	120lm/W	120lm/W
SDCM	≤6	≤6	≤6	≤6
CRI	Ra80			
Beam Angle	90°			
PF	0.9			
Flicker-free	YES			
Operating Temp.	-30 ... +40°C			
Lifetime	50,000hrs L80B10 @Ta = 25°C			
Circuit Breaker:				
B16	112PCS			
C16	123PCS			

Product Dimensions



LED Downlight Triton

Module Downlight

DATASHEET

Product Codes

249422+249427

Physical

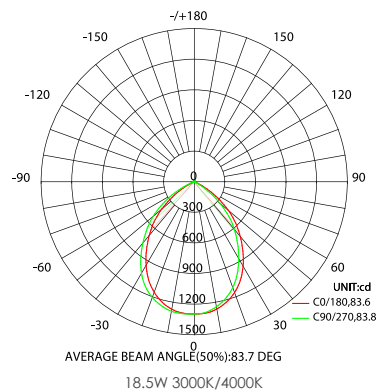
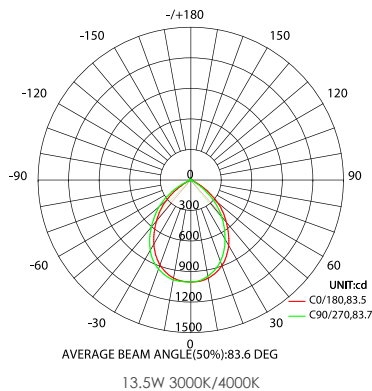
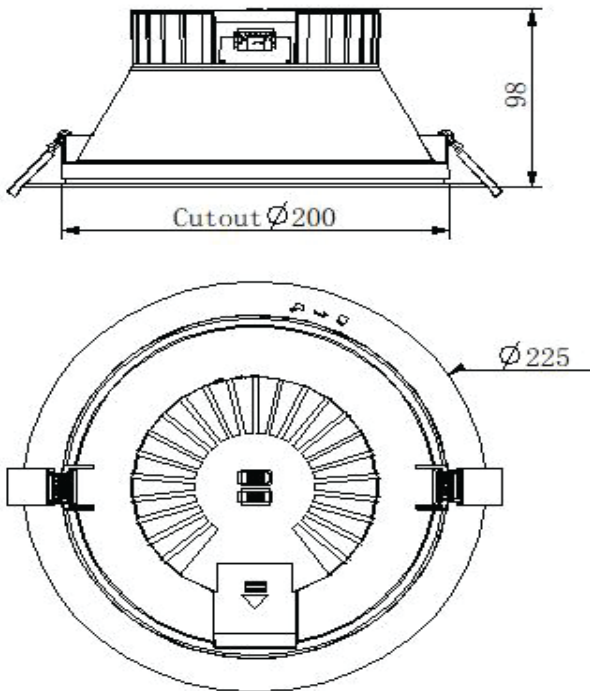
Surface Finish	Powder Coated
Physical Colour	White
Colour Code	W106
Dimensions	Ø225x98mm
Cutout	Ø200mm
Weight	550g
Rotate/Tilt Angle	N/A
Material	PC,PC+ABS,PA, ADC12
IP Rating	54
IK Rating	03
IC Rating	N/A
Luminaire Class	II
Cable Length	N/A
Lens Type	Diffuser + reflector
Lens Material	PC



Operational

Model				
Total Power	13.5W	13.5W	18.5W	18.5W
Lamp Power	12.5W	12.5W	17.2W	17.2W
Colour Temp.	3000K	4000K	3000K	4000K
Lumen Output	1800lm	1800lm	2400lm	2400lm
Efficacy	120lm/W	120lm/W	120lm/W	120lm/W
SDCM	≤6	≤6	≤6	≤6
CRI	Ra80			
Beam Angle	90°			
PF	0.9			
Flicker-free	YES			
Operating Temp.	-30 ... +40°C			
Lifetime	50,000hrs L80B10 @Ta = 25°C			
Circuit Breaker:				
B16	112PCS			
C16	123PCS			

Product Dimensions



LED Downlight Triton

Module Downlight

DATASHEET

Product Codes

249422+249429

Physical

Surface Finish	Powder Coated
Physical Colour	White
Colour Code	W106
Dimensions	Ø250x98mm
Cutout	Ø225mm
Weight	630g
Rotate/Tilt Angle	N/A
Material	PC,PC+ABS,PA, ADC12
IP Rating	54
IK Rating	03
IC Rating	N/A
Luminaire Class	II
Cable Length	N/A
Lens Type	Diffuser + reflector
Lens Material	PC



Operational

Model				
Total Power	13.5W	13.5W	18.5W	18.5W
Lamp Power	12.5W	12.5W	17.2W	17.2W
Colour Temp.	3000K	4000K	3000K	4000K
Lumen Output	1800lm	1800lm	2400lm	2400lm
Efficacy	120lm/W	120lm/W	120lm/W	120lm/W
SDCM	≤6	≤6	≤6	≤6
CRI	Ra80			
Beam Angle	90°			
PF	0.9			
Flicker-free	YES			
Operating Temp.	-30 ... +40°C			
Lifetime	50,000hrs L80B10 @Ta = 25°C			
Circuit Breaker:				
B16	112PCS			
C16	123PCS			

Product Dimensions

